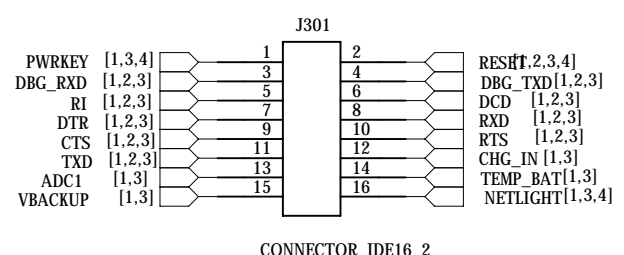
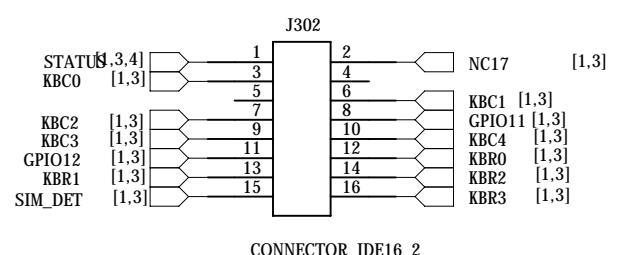


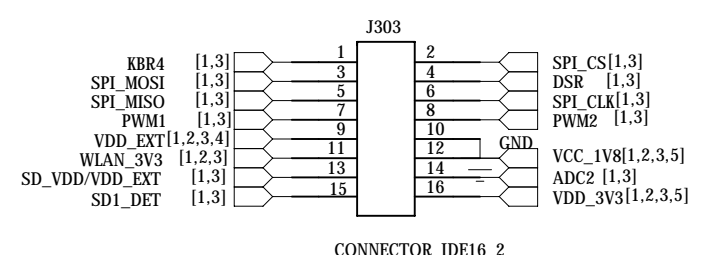
SIM Technology		
DRAWN BY <NAME HERE>	PROJECT W57-EVB	TITLE
CHECKED BY <NAME HERE>	SIZE A2	VER V1.01
SHEET 1 of 5		2016-10-28



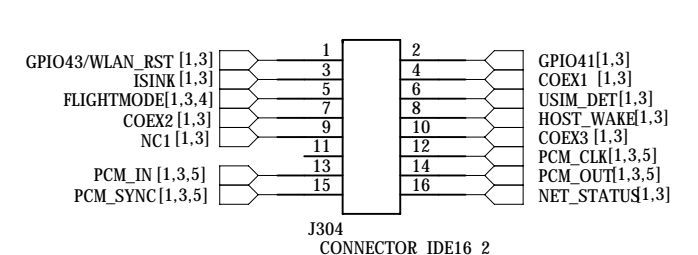
CONNECTOR_IDE16_2



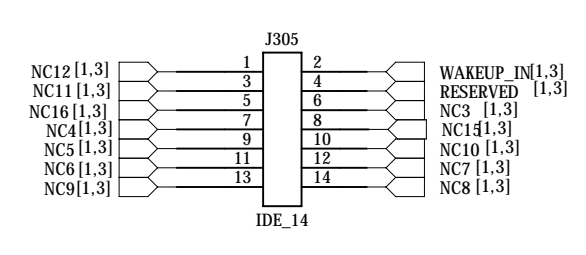
CONNECTOR_IDE16_2



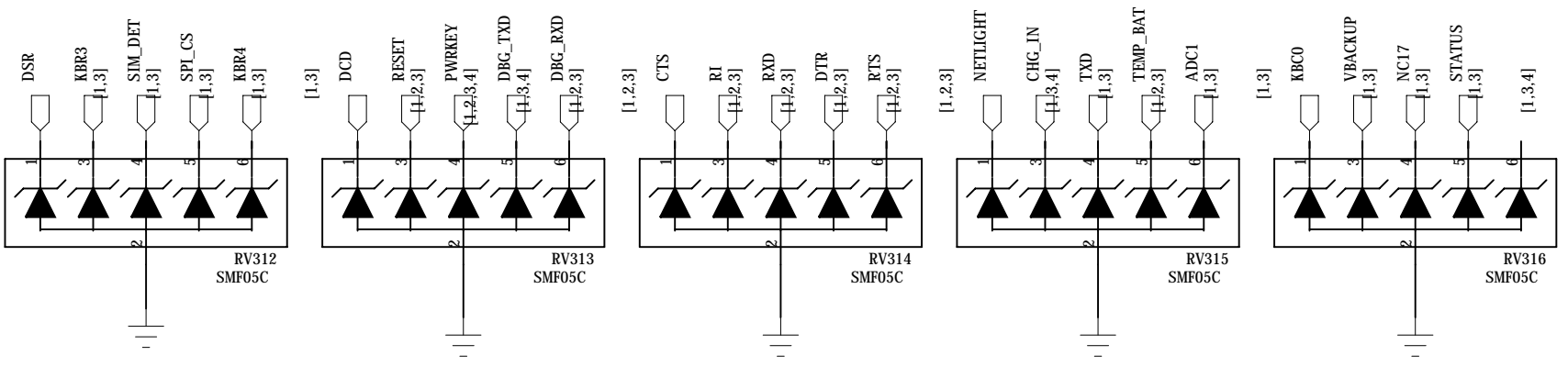
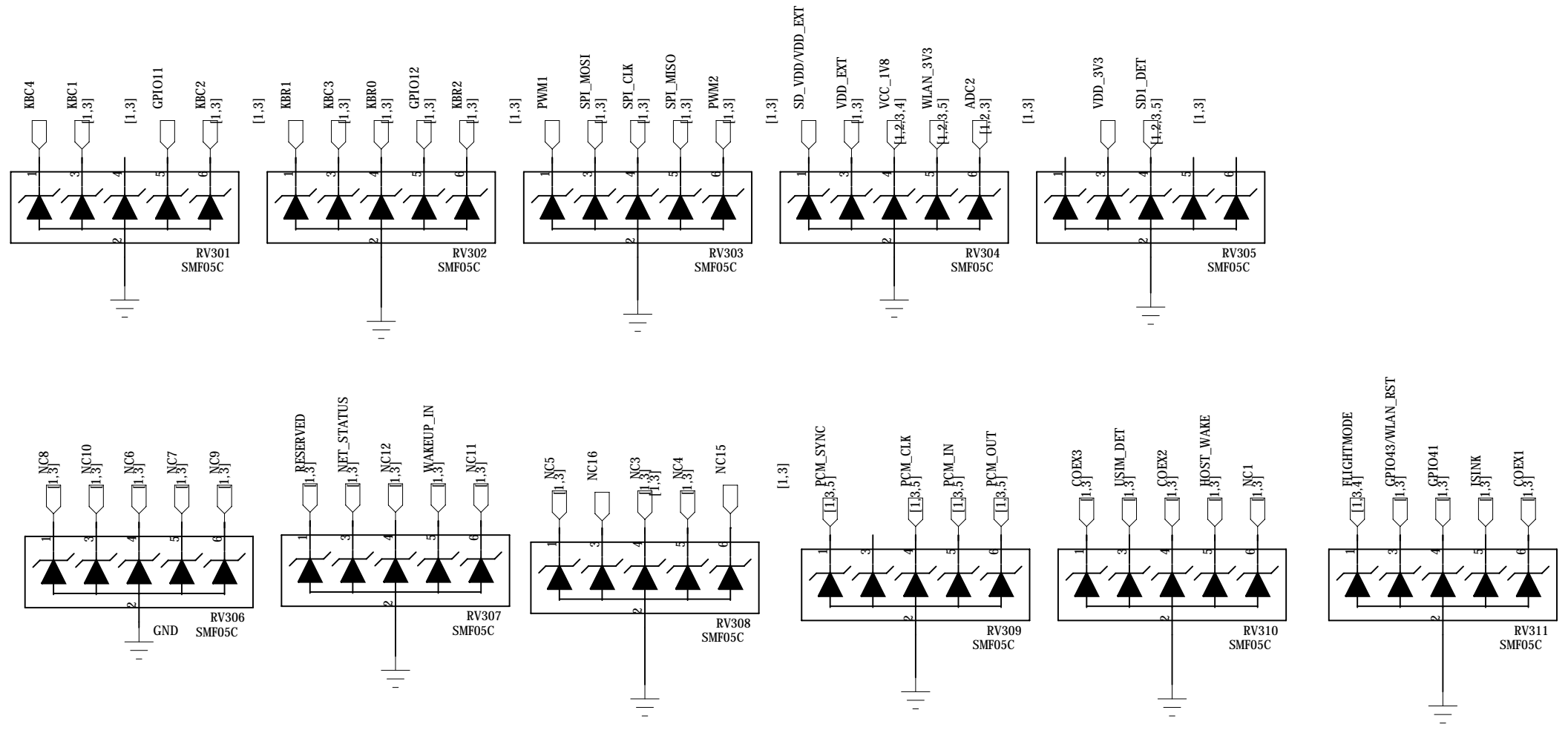
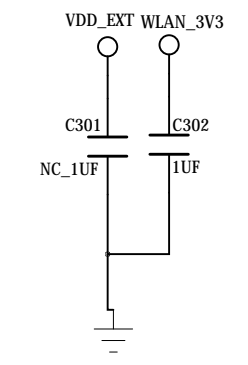
CONNECTOR_IDE16_2



CONNECTOR_IDE16_2

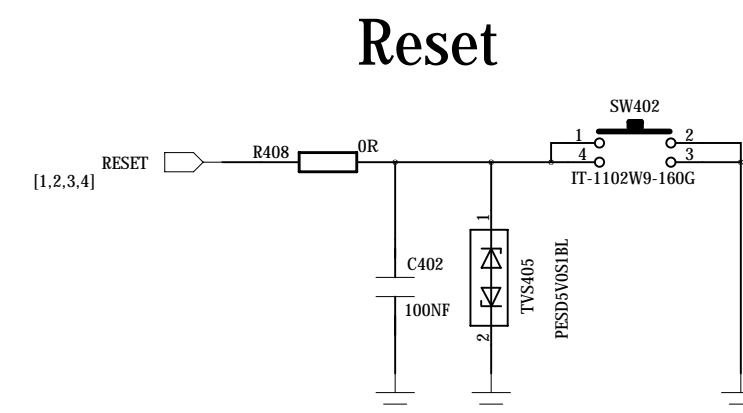
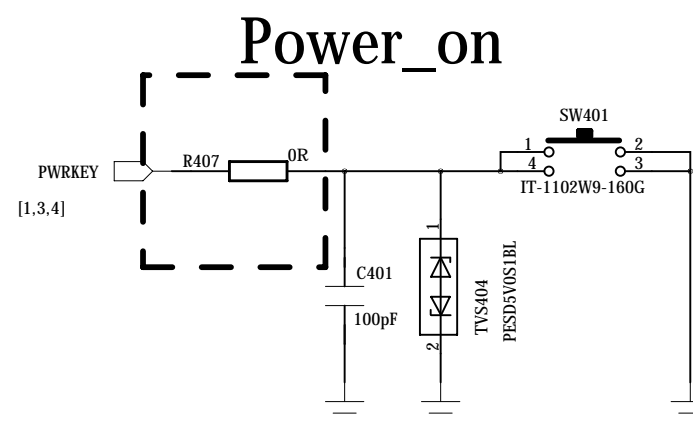
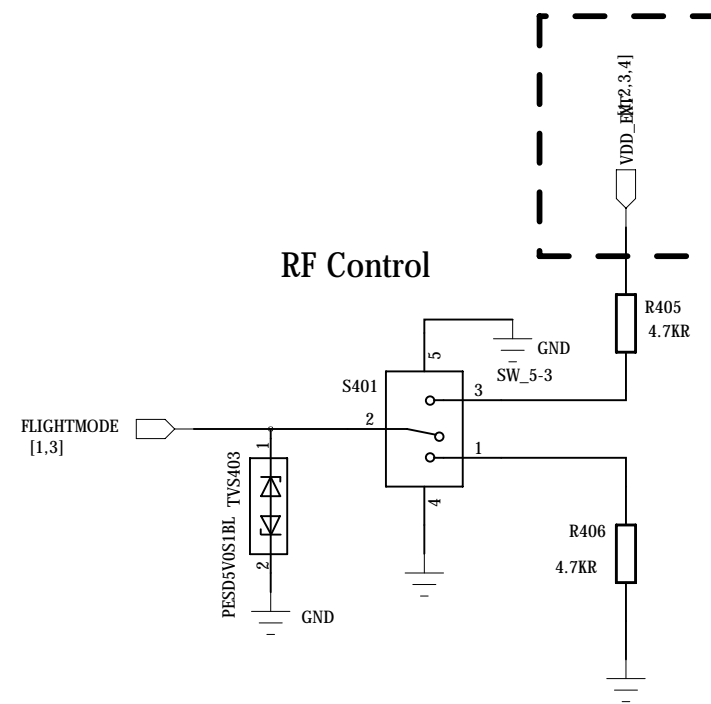
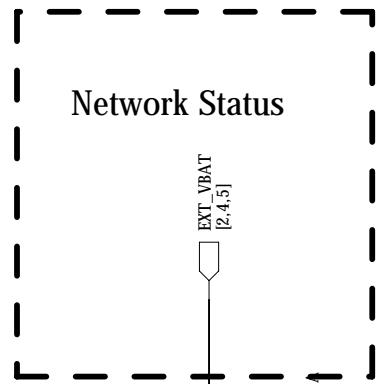
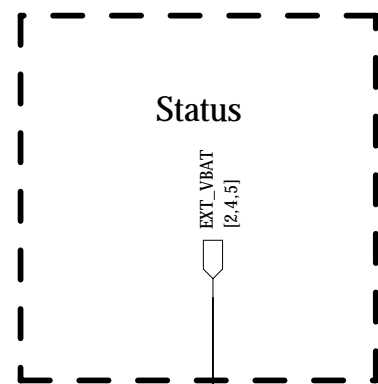
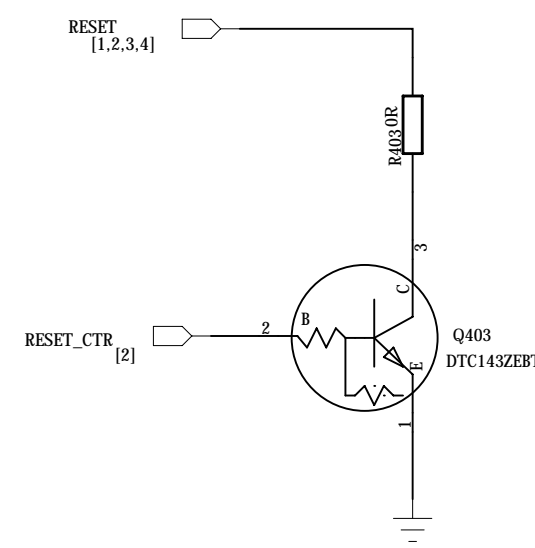
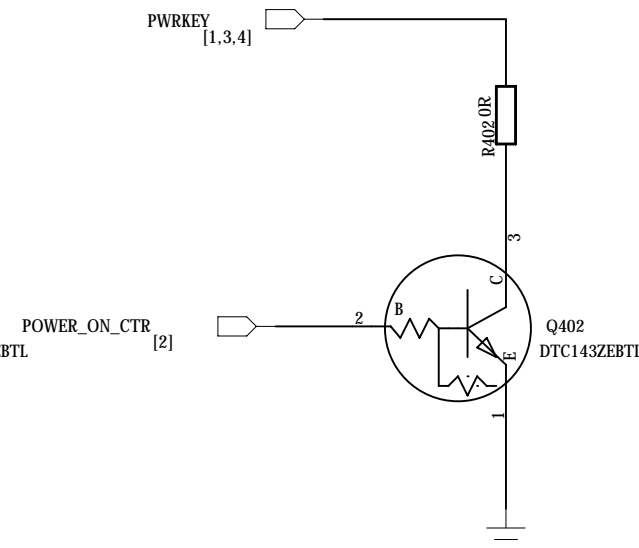
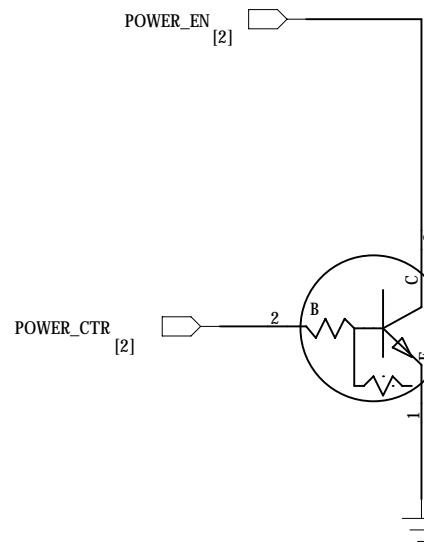
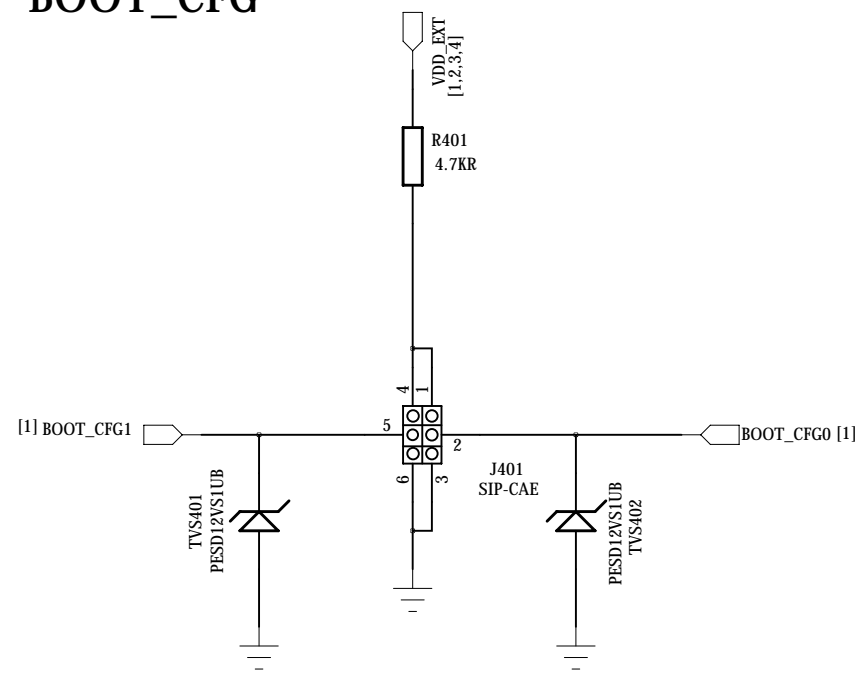


IDE_14



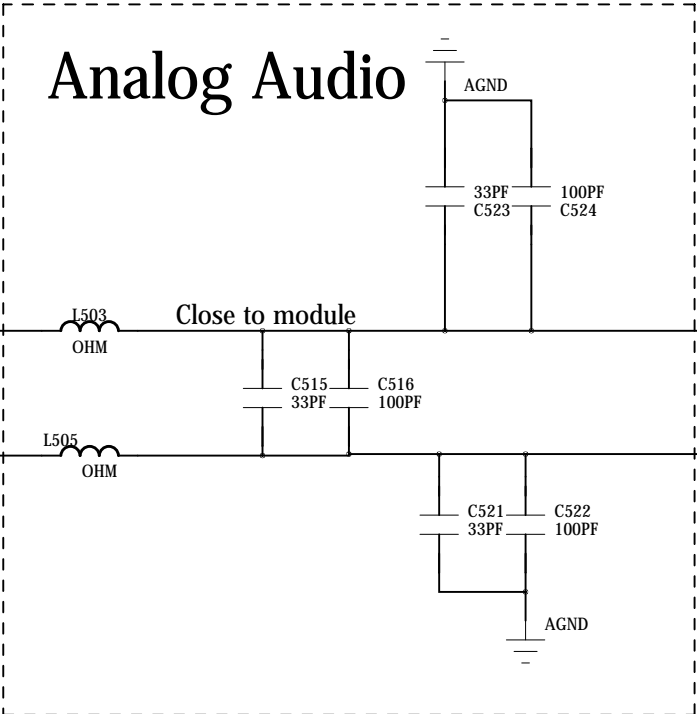
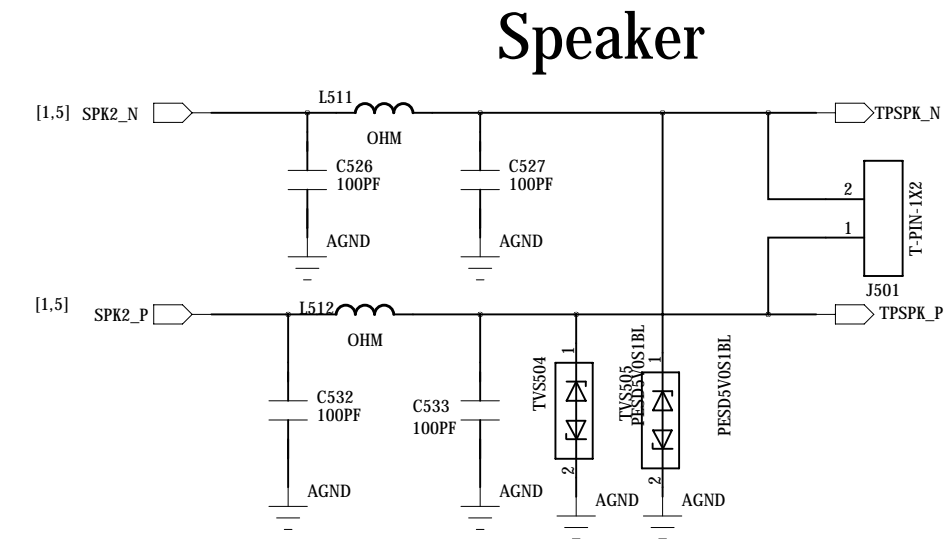
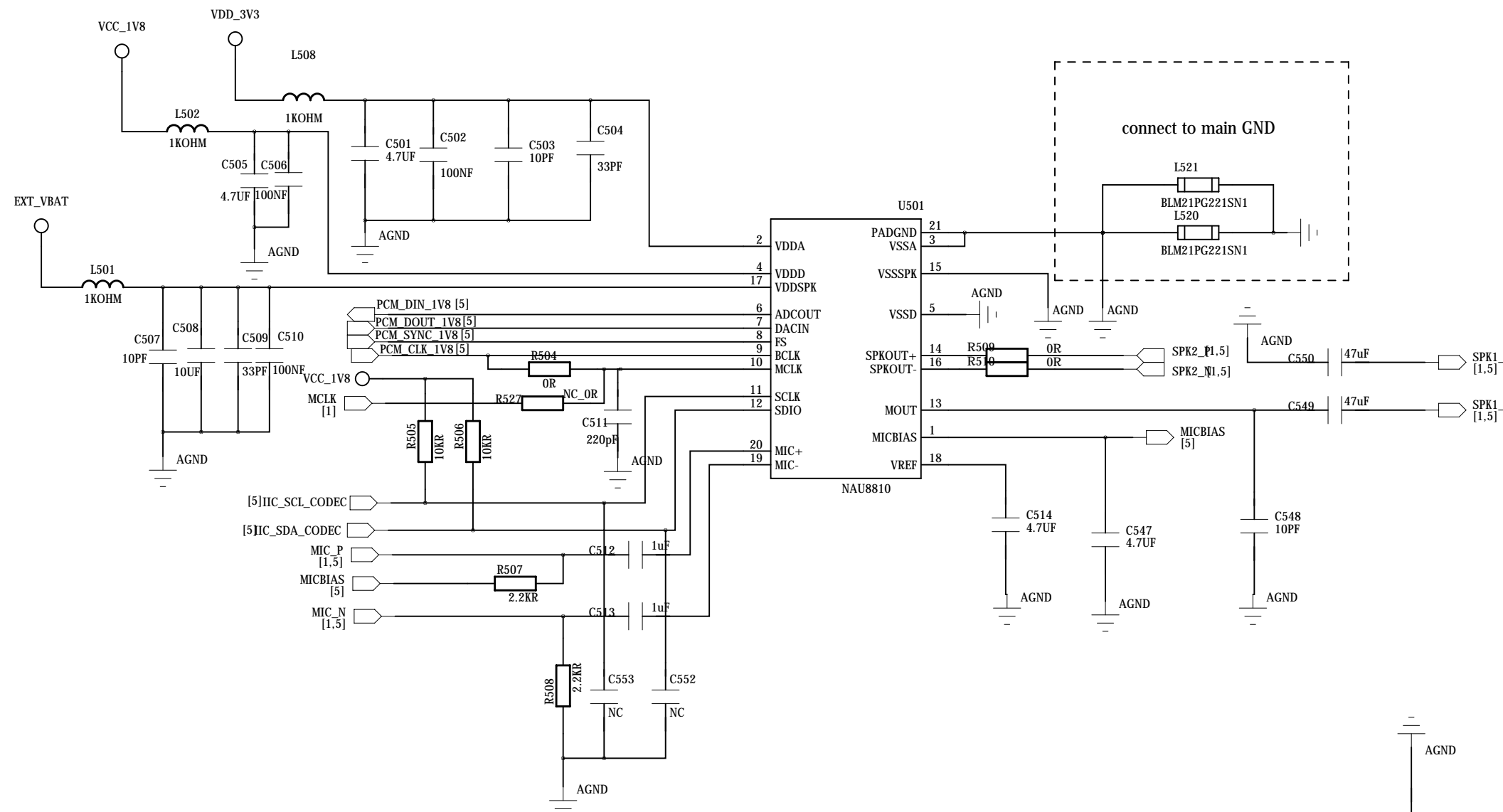
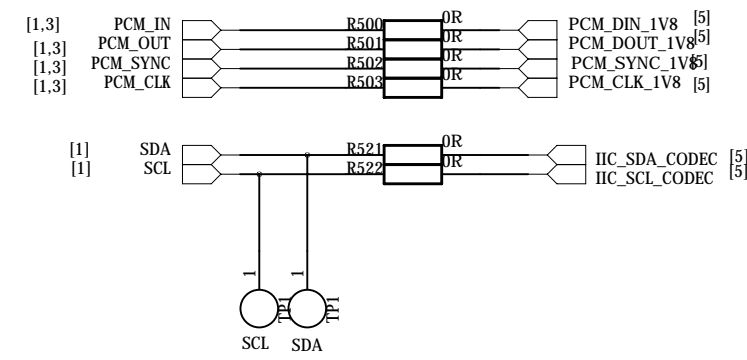
SIM Technology		
DRAWN BY <NAME HERE>	PROJECT W57-EVB	TITLE P3_TESTPOINT
CHECKED BY <NAME HERE>	SIZE A2	VER V1.01
SHEET 3 of 5		2016-10-28

BOOT_CFG

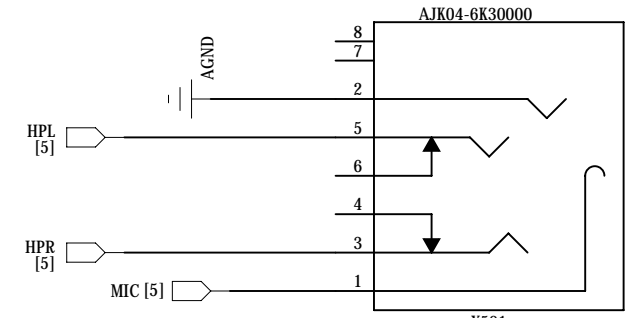
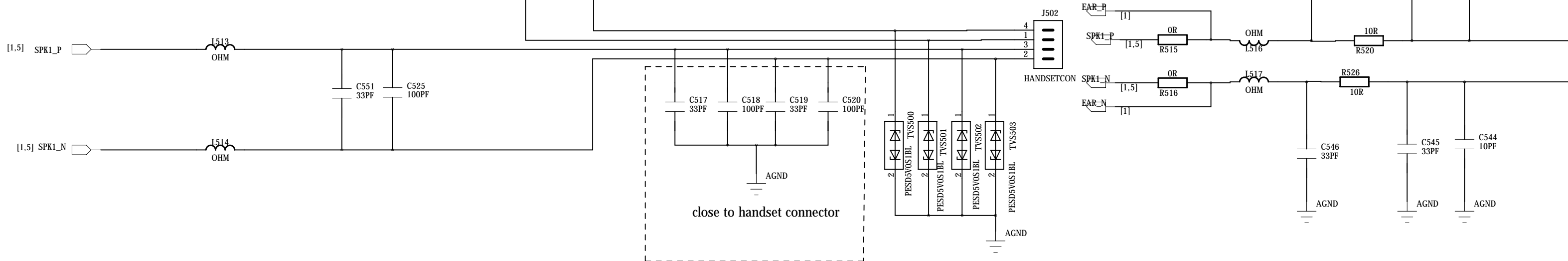


SIM Technology

DRAWN BY <NAME HERE>	PROJECT W57-EVB	TITLE P4_UART_DEBUG
CHECKED BY <NAME HERE>	SIZE A2	VER V1.01
SHEET 4 of 5		2016-10-28



Handset



SIM Technology		
DRAWN BY <NAME HERE>	PROJECT W57-EVB	TITLE P5_AUDIO
CHECKED BY <NAME HERE>	SIZE A2	VER V1.01
SHEET 5 of 5		2016-10-28